

# Data Sheet

2015 v1.0

## SMARTRAIL X835-100B DIN Rail Power Meter

- MID B&D Approved
- Class 1 Accuracy
- Dual Pulsed Output
- Straight-Through Connection
- 4 Module Dinrail Mounted (35mm)



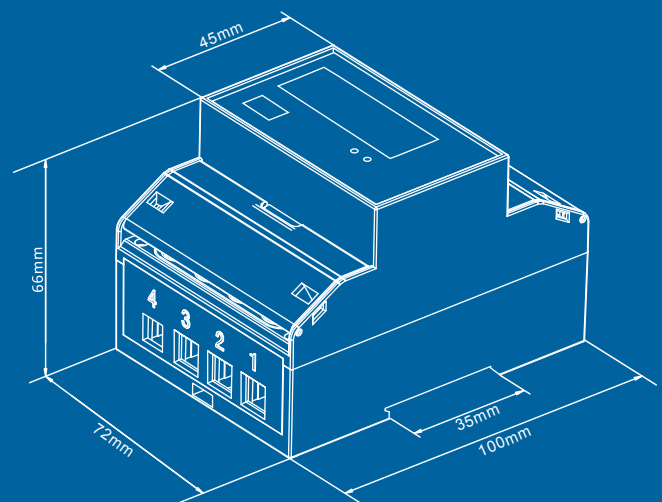
## SMARTRAIL X835-100B-MID Three Phase Power Meter

The SMARTRAIL X835-100B-MID Digital Power Meter works directly connected to a maximum load 100A AC circuit eradicating the need for current transformers.

This meter has been MID B&D Certified by SGS UK, proving both it's accuracy and quality. This certification allows this model to be used for any sub-billing applications.

The SMARTRAIL X835-100B-MID displays Total, Import, Export and Partial Active Energy, as well as Instantaneous Active Power. The Partial Active Energy provided is resettable so the user can monitor the energy imported and energy exported during a certain time-period.

## Dimensions



## Safety Instructions

The following safety instructions apply to all versions of the SMARTRAIL X835-100B-MID range of power meters:

### Information for your own safety

This manual does not contain all of the safety measures for operation of the equipment (module, device) because special operating conditions, and local code requirements or regulations may necessitate further measures. However, it does contain information which must be read for your personal safety and to avoid material damages. This information is highlighted by a warning triangle and is represented as follows, depending on the degree of potential danger.

### Qualified personnel

Operation of the equipment described in this manual may only be performed by qualified personnel. Qualified personnel means a person who has been authorised to commission, start up, ground and label devices, systems and circuits according to Safety and Regulatory standards.

### Use for the intended purpose

The equipment must only be used for the application specified in the datasheet and the user manual.

### Proper handling

The prerequisites for reliable operation of the product are proper transport, storage, installation and assembly, as well as proper operation and maintenance. When operating electrical equipment, certain parts of the equipment automatically carry dangerous voltages. Improper handling can therefore result in serious injuries or material damage. Use only insulating tools. Do not connect while circuit is live (hot). Place the meter only in dry surroundings. Do not mount the meter in an explosive area or expose the meter to dust, mildew and insects. Make sure the used wires are suitable for the maximum current of this meter. Make sure the AC wires are connected correctly before activating the current/voltage to the meter. Do not touch the meter connecting clamps directly with your bare hands, with metal, blank wire or other material as you may get an electrical shock. Make sure the protection cover is placed after installation. Installation, maintenance and reparation should only be done by qualified personnel. Never break the seals and open the front cover as this might influence the functionality of the meter, and will avoid any warranty. Do not drop, or allow physical impact to the meter as there are high precision components inside that may break.

# SMARTRAIL X835-100B-MID Digital Power Meter - Three Phase

## Measured Parameters

The SMARTRAIL X835-100B-MID monitors and displays Total, Imported, Exported and Partial Active Energy (kWh) as well as Instantaneous Active Power (kW) of a three phase four wire (3p4w) system.

## Technical Data

Certification	MID B&D Approved
Operating Humidity	≤ 75%
Storage Humidity	≤ 95%
Operating Temperature	-20°C - +50°C
Storage Temperature	-30°C - +70°C
International Standard	IEC 62053-21
Accuracy Class	1
Mounting	DIN rail (DIN 43880)
Sealing	IP51 Indoor
Nominal Voltage Input	(Ph+N) 100 to 289V (Ph+Ph) 173 to 500V
Max Continuous Voltage	120% of nominal
AC Voltage Withstand	4KV for 1 minute
Impulse Voltage Withstand	6KV-1.2μS
Reference Input current	0.5A
Base Input Current (I <sub>b</sub> )	10A
Maximum Input Current (I <sub>max</sub> )	100A AC
Max Continuous Current	120% of nominal
Operational Current Range	0.4% I <sub>b</sub> -I <sub>max</sub>
Over current withstand	20I <sub>max</sub> for 0.01s
Nominal Input Current Burden	0.5VA
Frequency	50Hz(±10%)
Power Consumption	≤ 2W/10VA/phase
Pulsed Output	1000imp/kWh

## Wiring Diagram

